




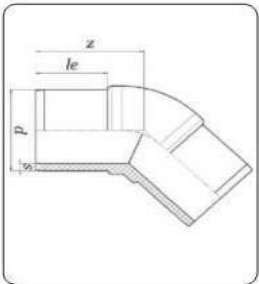
Pipes System SRL
900330-Constanta-Interioara 3

PIPES <http://pipes-system.ro>


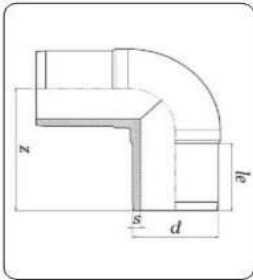
system

materiale de constructii si instalatii

COT inj. 45°


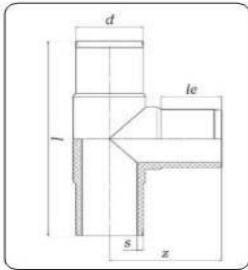
Diametru (mm)	Cod	 
32	01.117.022.0032	
40	01.117.022.0040	
50	01.117.022.0050	
63	01.117.022.0063	
75	01.117.022.0075	
90	01.117.022.0090	
110	01.117.022.0110	
125	01.117.022.0125	
140	01.117.022.0140	
160	01.117.022.0160	
180	01.117.022.0180	
200	01.117.022.0200	
225	01.117.022.0225	
250	01.117.022.0250	
280	01.117.022.0280	
315	01.117.022.0315	

COT inj. 90°

Diametru (mm)	Cod	 
32	01.117.021.0032	
40	01.117.021.0040	
50	01.117.021.0050	
63	01.117.021.0063	
75	01.117.021.0075	
90	01.117.021.0090	
110	01.117.021.0110	
125	01.117.021.0125	
140	01.117.021.0140	
160	01.117.021.0160	
180	01.117.021.0180	
200	01.117.021.0200	
225	01.117.021.0225	
250	01.117.021.0250	
280	01.117.021.0280	
315	01.117.021.0315	


TEU EGAL INJECTAT

Diametru (mm)	Cod
32	01.117.041.0032
40	01.117.041.0040
50	01.117.041.0050
63	01.117.041.0063
75	01.117.041.0075
90	01.117.041.0090
110	01.117.041.0110
125	01.117.041.0125
140	01.117.041.0140
160	01.117.041.0160
180	01.117.041.0180
200	01.117.041.0200
225	01.117.041.0225
250	01.117.041.0250
280	01.117.041.0280
315	01.117.041.0315

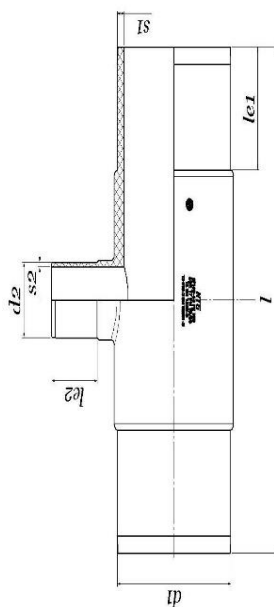
TEU REDUS INJECTAT

Diametru (mm)	Cod
63x50	01.117.042.0064
63x40	01.117.042.0065
63x32	01.117.042.0064
75x63	01 117 042 0076
75x50	01 117 042 0076
90x50	01 117 042 0077
90x63	01 117 042 0091
90x75	01 117 042 0092
110x50	01.117.042.0114
110x63	01 117 042 0111
110x75	01 117 042 0112
110x90	01 117 042 0113
125x90	01 117 042 0126
125x110	01 117 042 0127
140x90	01 117 042 0141
140x110	01 117 042 0141
140x125	01 117 042 0141
160x63	01 117 042 0162
160x75	01 117 042 0163
160x90	01 117 042 0164
160x110	01 117 042 0165
160x125	01 117 042 0166
180x90	01 117 042 0180
180x110	01 117 042 0181
180x125	01 117 042 0183



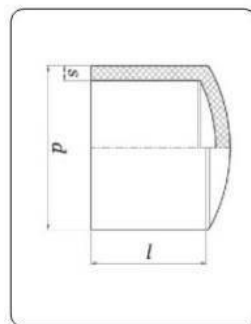


180x160	01 117 042 0184
200-63	01.115.042.0208
200-90	01.115.042.0206
200-110	01.115.042.0205
200-125	01.115.042.0204
200-160	01.115.042.0202
225-90	01.115.042.0232
225-110	01.115.042.0231
225-125	01.115.042.0230
225-160	01.115.042.0228
250-90	01.115.042.0258
250-110	01.115.042.0257
250-125	01.115.042.0256
250-160	01.115.042.0254
250-225	01.115.042.0251
280-110	01.115.042.0288
280-160	01.115.042.0285
280-200	01.115.042.0283
280-225	01.115.042.0282
280-250	01.115.042.0281
315-110	01.115.042.0324
315-160	01.115.042.0321
315-200	01.115.042.0319
315-225	01.115.042.0318
315-250	01.115.042.0317




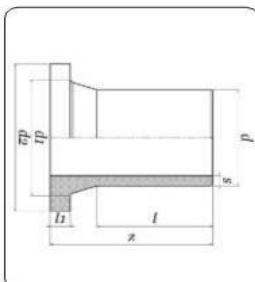
DOP INJECTAT

Diametru (mm)	Cod
32	01.117.140.0032
40	01.117.140.0040
50	01.117.140.0050
63	01.117.140.0063
75	01.117.140.0075
90	01.117.140.0090
110	01.117.140.0110
125	01.117.140.0125
140	01.117.140.0140
160	01.117.140.0160
180	01.117.140.0180
200	01.117.140.0200
225	01.117.140.0225
250	01.117.140.0250
280	01.117.140.0280
315	01.117.140.0315
355	01.117.140.0355
400	01.117.140.0400



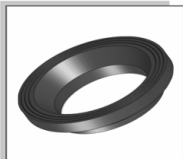
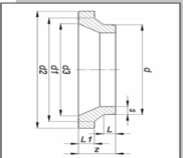
ADAPTOR FLANSA INJECTAT

Diametru (mm)	Cod
32	01.117.100.0032
40	01.117.100.0040
50	01.117.100.0050
63	01.117.100.0063
75	01.117.100.0075
90	01.117.100.0090
110	01.117.100.0110
125	01.117.100.0125
140	01.117.100.0140
160	01.117.100.0160
180	01.117.100.0180
200	01.117.100.0200
225	01.117.100.0225
250	01.117.100.0250
280	01.117.100.0280
315	01.117.100.0315
355	01.117.100.0355
400	01.117.100.0400

ADAPTOR FLANSA INJECTAT SCURT

Diametru (mm)
400 S
450 S
500 S
560 S
630 S
710 S
800 S
900 S
1000 S

REDUCTII INJECTATE

d1-d2 (mm)	COD
40-32	01.117.080.0041
40-25	01.117.080.0042
50-40	01.117.080.0051
50-32	01.117.080.0052
50-25	01.117.080.0053
63-50	01.117.080.0064
63-40	01.117.080.0065
63-32	01.117.080.0066
63-25	01.117.080.0067
75-63	01.117.080.0076

75-50	01.117.080.0077
90-75	01.117.080.0091
90-63	01.117.080.0092
90-50	01.117.080.0093
110-90	01.117.080.0111
110-75	01.117.080.0112
110-63	01.117.080.0113
125-110	01.117.080.0126
125-90	01.117.080.0127
125-75	01.117.080.0128
125-63	01.117.080.0129
140-125	01.117.080.0141
140-110	01.117.080.0142
140-90	01.117.080.0143
140-75	01.117.080.0144
160-140	01.117.080.0161
160-125	01.117.080.0162
160-110	01.117.080.0163
160-90	01.117.080.0164
180-160	01.117.080.0181
180-140	01.117.080.0182
180-125	01.117.080.0183
180-110	01.117.080.0184
200-110	01.117.080.0185
200-140	01.117.080.0184
200-160	01.117.080.0185
200-180	01.117.080.0186
225-110	01.117.080.0187
225-160	01.117.080.0187
225-180	01.117.080.0188
225-200	01.117.080.0189
250-160	01.117.080.0190
250-180	01.117.080.0191
250-200	01.117.080.0192
250-225	01.117.080.0193
280-180	01.117.080.0194
280-200	01.117.080.0195
280-225	01.117.080.0196
280-250	01.117.080.0197
315-225	01.117.080.0198
315-250	01.117.080.0199
315-280	01.117.080.0200

